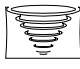
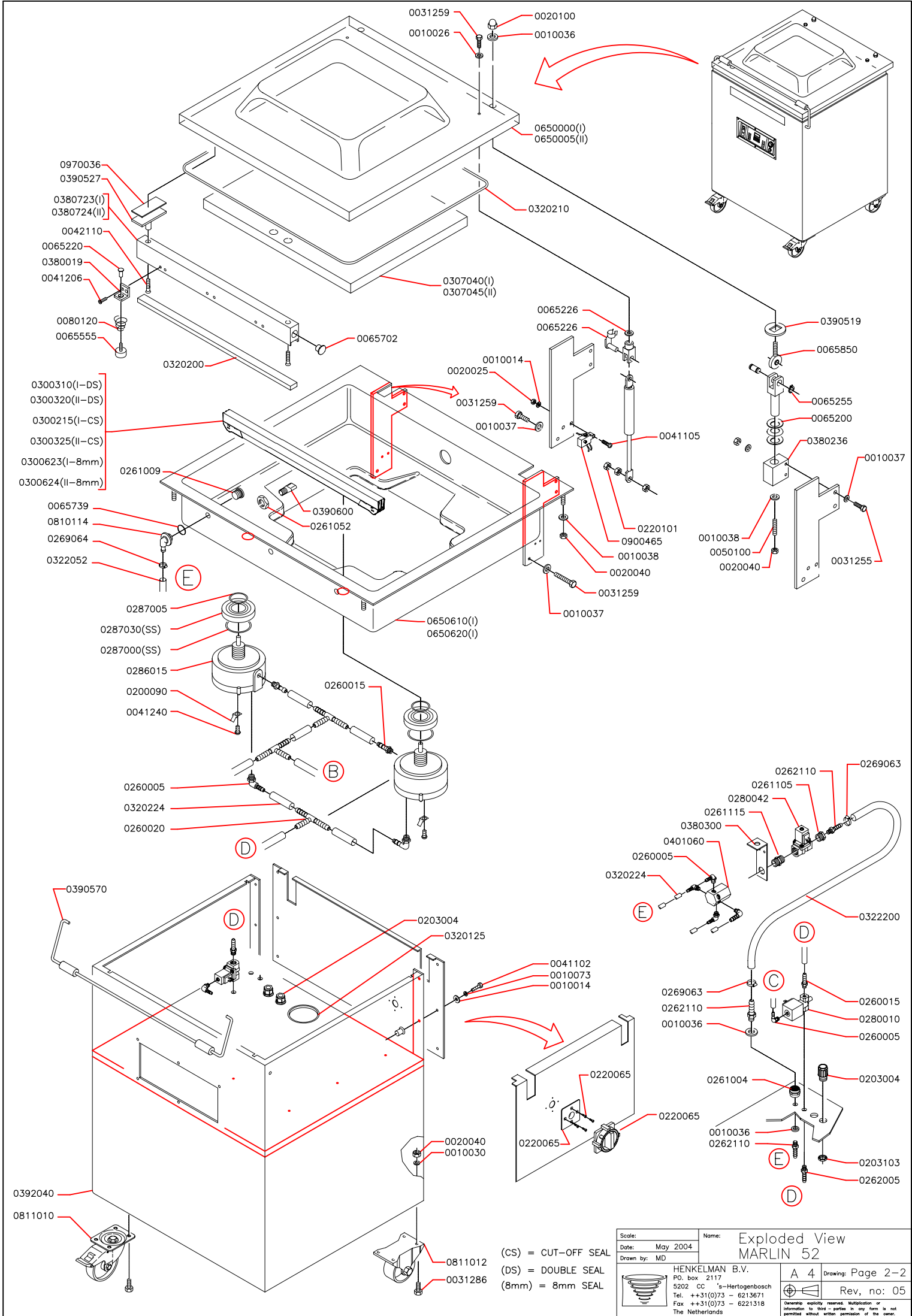


Scale:	Name:	Exploded View MARLIN 52	
Date:	May 2004		
Drawn by:	MD		
	HENKELMAN B.V.		
	P.O. box 2117		
	5202 CC 's-Hertogenbosch		
	Tel. ++31(0)73 - 6213671		
Fax ++31(0)73 - 6221318			
The Netherlands			
A 4		Drawing: Page 1-2	
		Rev. no: 04	
<small>Ownership explicitly reserved. Multiplication or information to third parties in any form is not permitted without written permission of the owner.</small>			

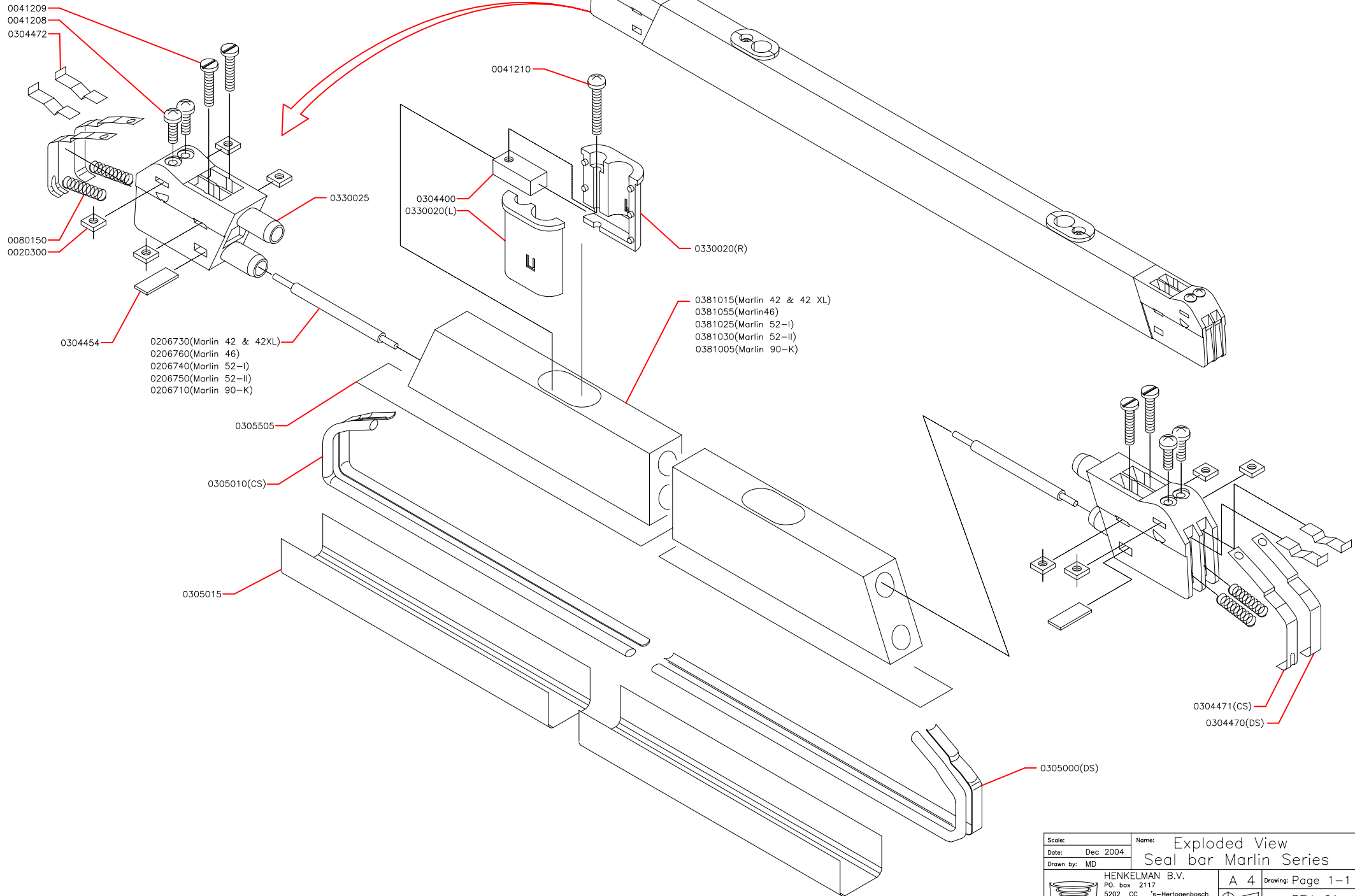


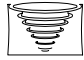
(CS) = CUT-OFF SEAL
(DS) = DOUBLE SEAL
(8mm) = 8mm SEAL

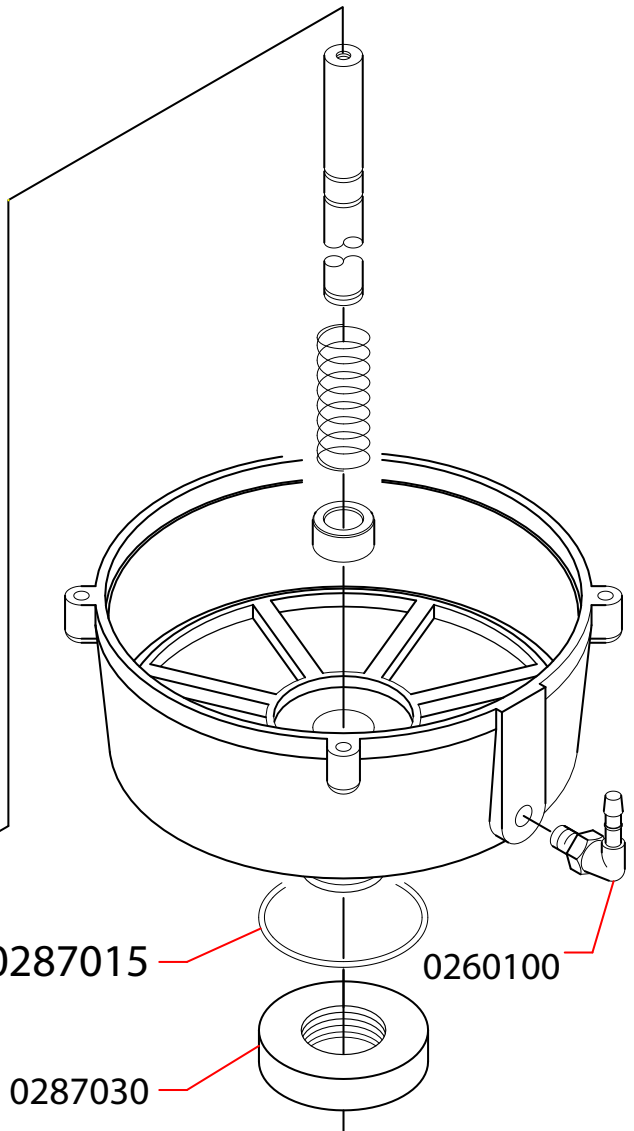
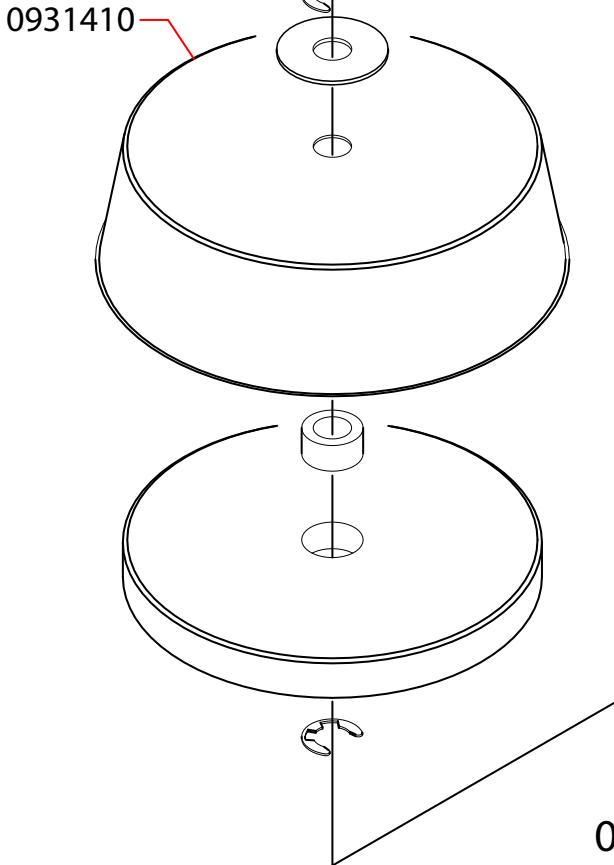
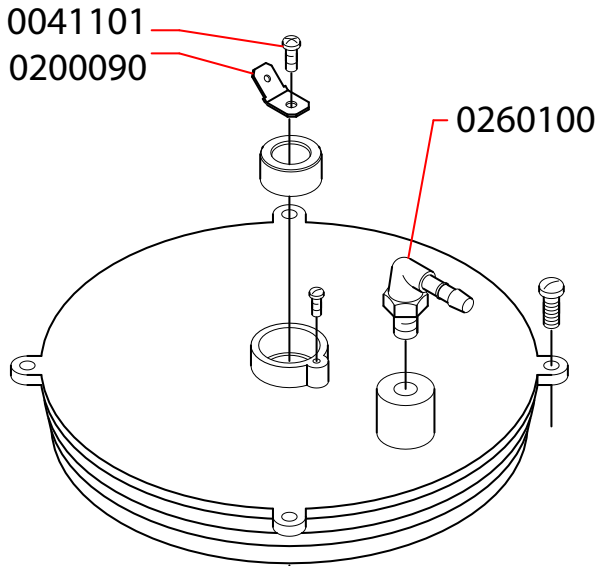
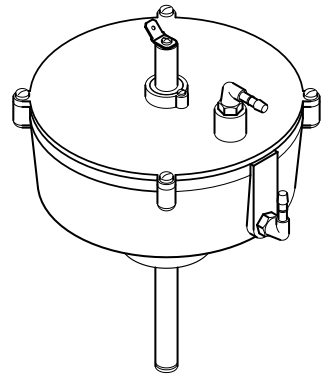
Scale:	Name:	Exploded View	
Date:	May 2004	MARLIN 52	
Drawn by:	MD		
HENKELMAN B.V. P.O. box 2117 5202 CC 's-Hertogenbosch Tel: ++31(0)73 - 6213671 Fax: ++31(0)73 - 6221318 The Netherlands		A 4	Drawing: Page 2-2
		Rev. no: 05	



Overname aansprakelijkheid. Multiplicatie of informatie te verspreiden in welke vorm ook is niet toegestaan zonder schriftelijke toestemming van de afzender.




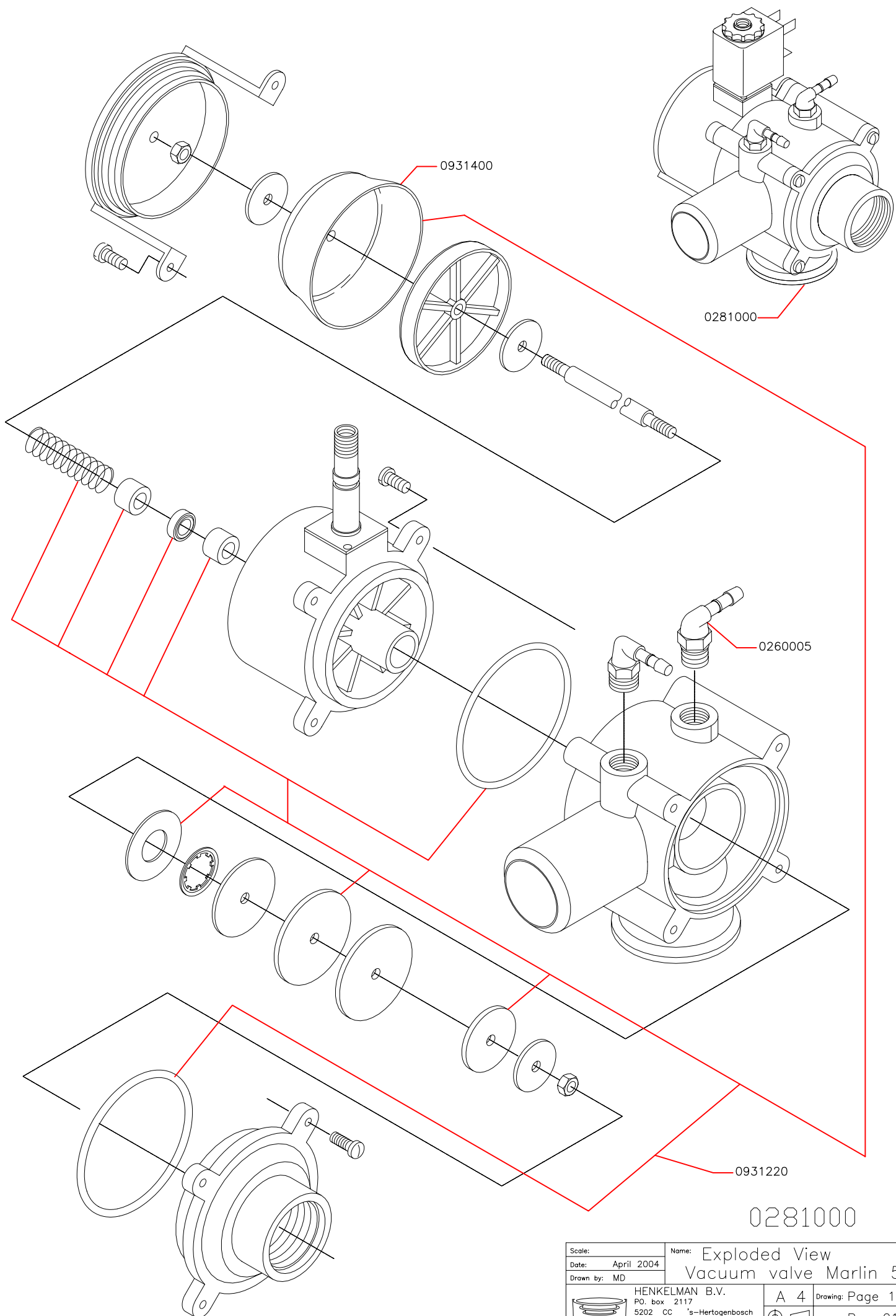
Scale:	Name:	Exploded View	
Date:	Dec 2004	Seal bar Marlin Series	
Drawn by:	MD		
	HENKELMAN B.V.		
	P.O. box 2117		
	5202 CC s-Hertogenbosch		
	Tel. ++31(0)73 - 6213671		
Fax ++31(0)73 - 6221318			A 4 Drawing: Page 1-1
The Netherlands			REV. 01
<small>Ownership explicitly reserved. Multiplication or information to third parties in any form is not permitted without written permission of the owner.</small>			



0286015 M46 / M52

0286020 M90

Scale:	Name: Exploded View
Date: April 2004	Seal cilinder Marlin 52
Drawn by: MD	
 HENKELMAN B.V. PO. box 2117 5202 CC 's-Hertogenbosch Tel. ++31(0)73-6213671 Fax ++31(0)73-6213118 The Netherlands	A 4 Drawing Page 1-1 Rev.01
	<small>Ownership and liability reserved. Multiplication or alteration of these parts is only permitted in case permitted without written permission of the owner.</small>



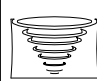
0281000

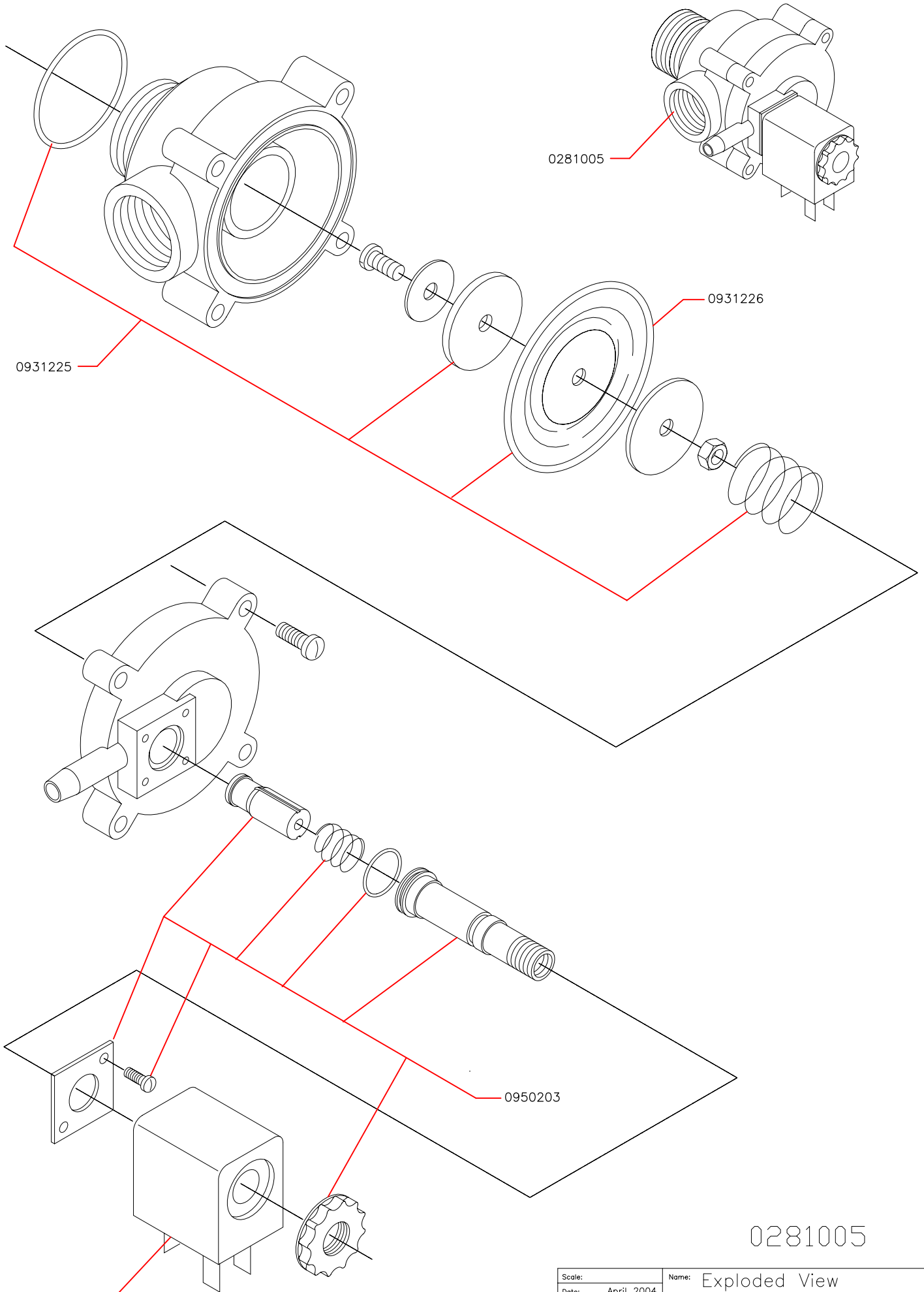
0931400

0260005

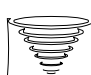
0931220

0281000

Scale:	Name: Exploded View
Date: April 2004	Vacuum valve Marlin 52
Drawn by: MD	
 HENKELMAN B.V. P.O. box 2117 5202 CC 's-Hertogenbosch Tel. ++31(0)73 - 6213671 Fax ++31(0)73 - 6221318 The Netherlands	A 4 Drawing: Page 1-3
	Rev. 01
	<small>Ownership explicitly reserved. Multiplication or information to third parties in any form is not permitted without written permission of the owner.</small>



0281005

Scale:	Name: Exploded View
Date: April 2004	Decomp. Valve Marlin 52
Drawn by: MD	
 HENKELMAN B.V. P.O. box 2117 5202 CC 's-Hertogenbosch Tel. ++31(0)73 - 6213671 Fax ++31(0)73 - 6221318 The Netherlands	A 4 Drawing: Page 2-3
	Rev. 01
<small>Ownership explicitly reserved. Multiplication or information to third parties in any form is not permitted without written permission of the owner.</small>	

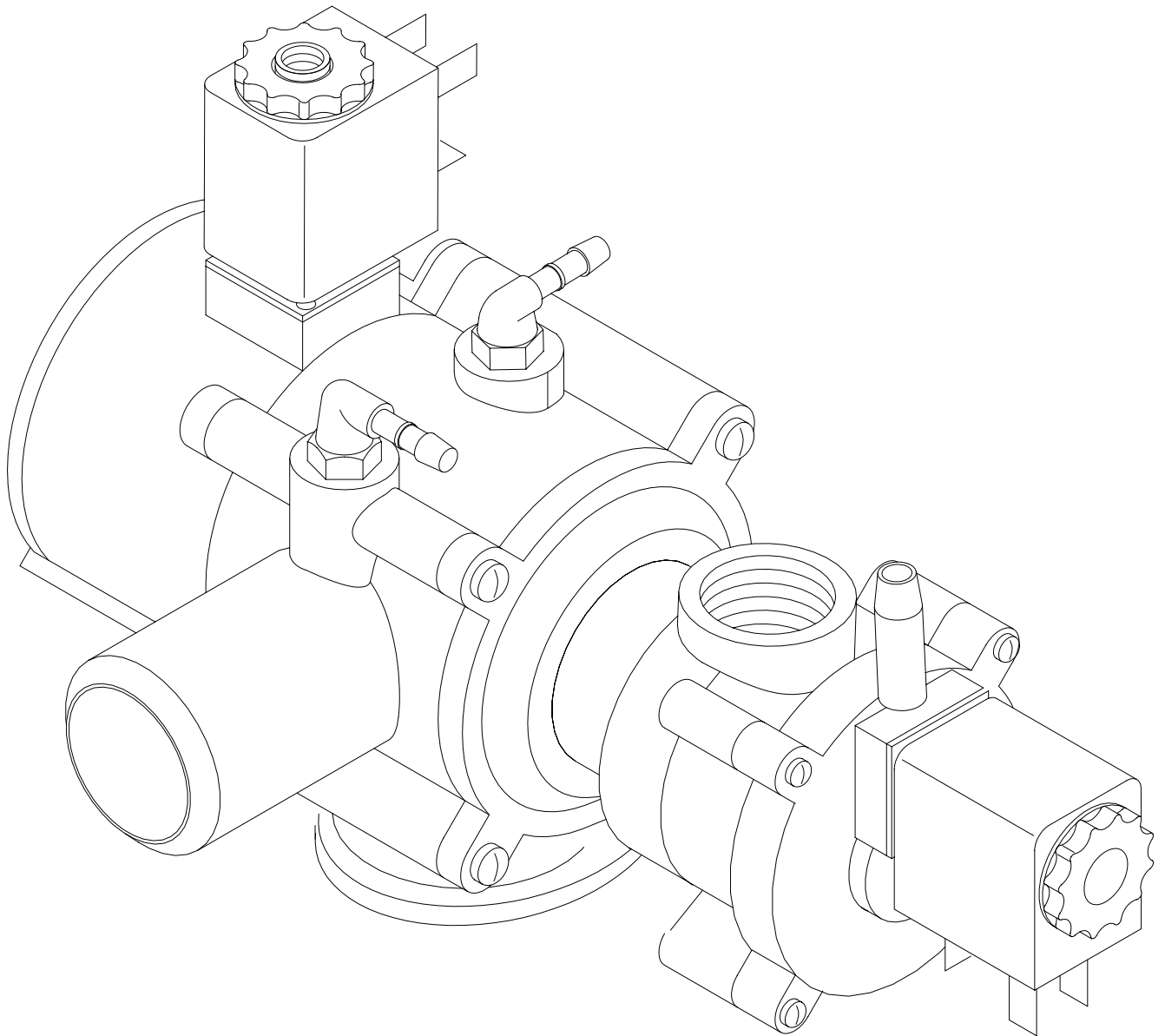
0280071

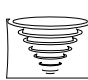
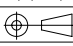
0950203

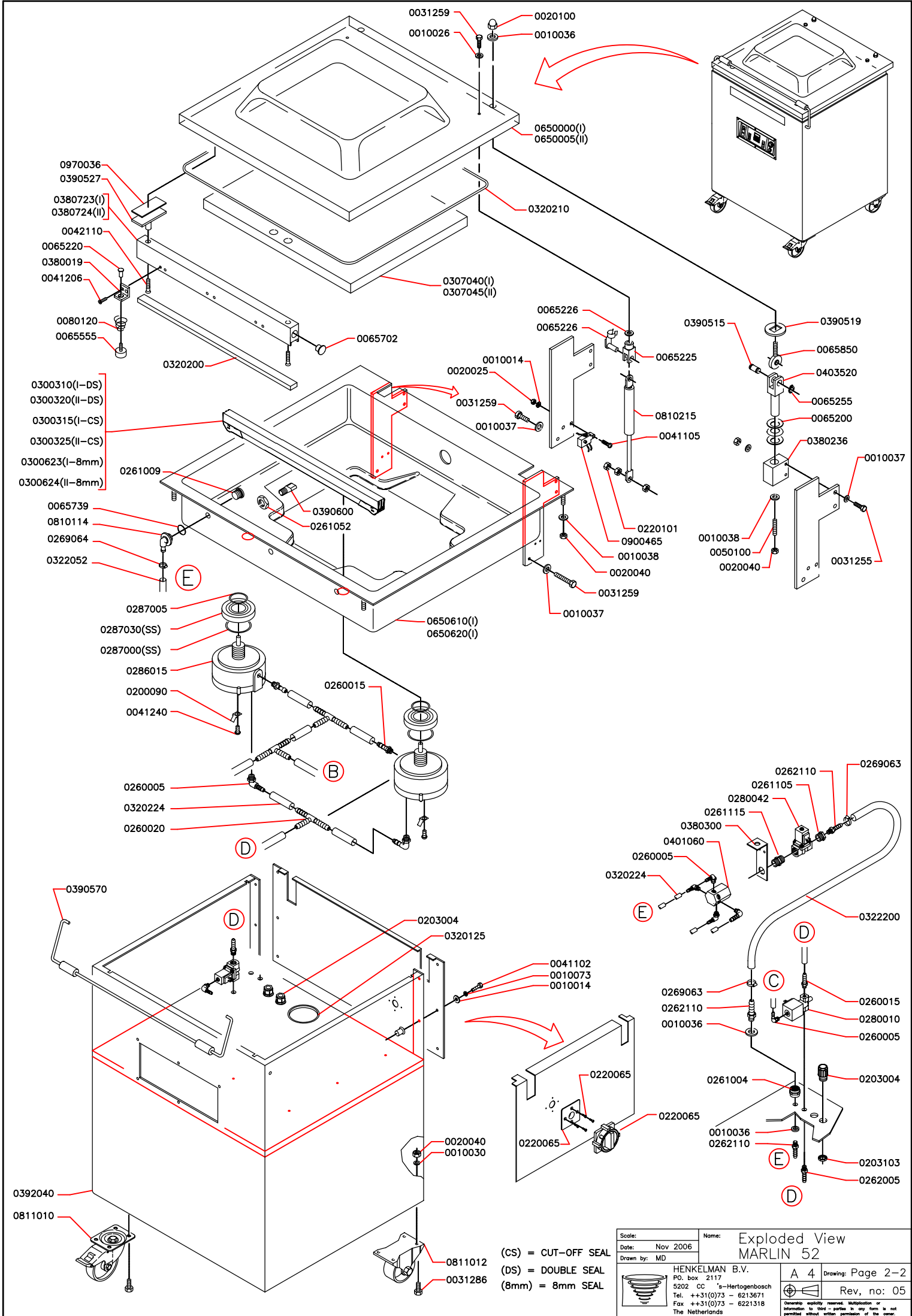
0931226

0281005


0931225



Scale:	Name: Exploded View
Date: July 2004	Vac-Decom Valve Marlin 52
Drawn by: MD	
	HENKELMAN B.V. PO. box 2117 5202 CC 's-Hertogenbosch Tel. ++31(0)73 - 6213671 Fax ++31(0)73 - 6221318 The Netherlands
	A 4 Drawing: Page 3-3 
<small>Ownership explicitly reserved. Multiplication or information to third parties in any form is not permitted without written permission of the owner.</small>	



(CS) = CUT-OFF SEAL
(DS) = DOUBLE SEAL
(8mm) = 8mm SEAL

Scale:	Name:	Exploded View	
Date:	Nov 2006		
Drawn by:	MD		
HENKELMAN B.V. PO. box 2117 5202 CC 's-Hertogenbosch Tel. ++31(0)73 - 6213671 Fax. ++31(0)73 - 6221318 The Netherlands		A 4	Drawing: Page 2-2
		Rev. no: 05	
<small>Overname aansprakelijkheid. Multiplicatie of informatie te verspreiden is niet toegestaan zonder schriftelijke toestemming van de afzender.</small>			